

prio 315

Axial circular duct fan

Item Number: 93267

Variant: 230V 1~ 50Hz



- Circular duct fan
- Compact design
- High efficiency and low SFP in a real working point
- Low sound level
- Air tight design
- Speed-controllable
- Simple to install, mounting brackets included
- Integrated motor protection

The prio fans is designed for installation in ducts. The casing is manufactured from sheet metal. The fans can be speed-controlled via a stepless thyristor or a 5-step transformer. To protect the motor from overheating, the fans have integral thermal contact with leads for connection to a motor protection device.

Outdoor mounting and wet room applications are possible due to the fans air tight casing and the IP 55 rated terminal box.

The FK mounting clamp (accessory) facilitates easy installation and removal, and prevents the transfer of vibration to the duct.



Technical parameters

Nominal data		
Voltage (Nominal)	230	V
Frequency	50	Hz
Phase(s)	1~	
Input power	332	W
Input current	1.76	A
Impeller speed	1,363	r.p.m.
Air flow	max 1.059	m ³ /s
Capacitance of capacitor	6	μF
Temperature of transported air	max 50	°C
Max temperature of transported air, when speed controlled	50	°C

Sound data

Sound pressure level at 3m (20m ² Sabin)	58 dB(A)
---	----------

Protection/Classification

Enclosure class, motor	IP44
------------------------	------

Insulation class	F
------------------	---

Data according to ErP

ErP ready	ErP 2018
-----------	----------

Dimensions and weights

Duct dimension; Circular, inlet	315 mm
---------------------------------	--------

Duct dimension; Circular, outlet	315 mm
----------------------------------	--------

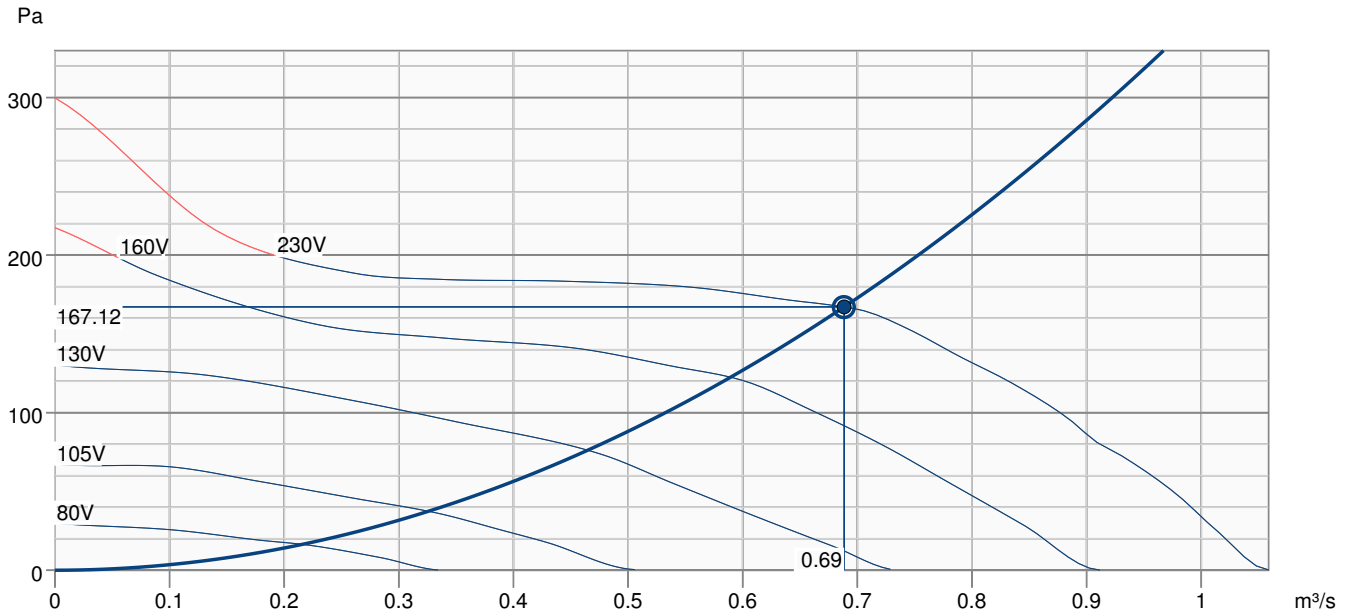
Weight	15.52 kg
--------	----------

Others

Duct connection type	Circular
----------------------	----------

Motor type	AC
------------	----

Performance curve



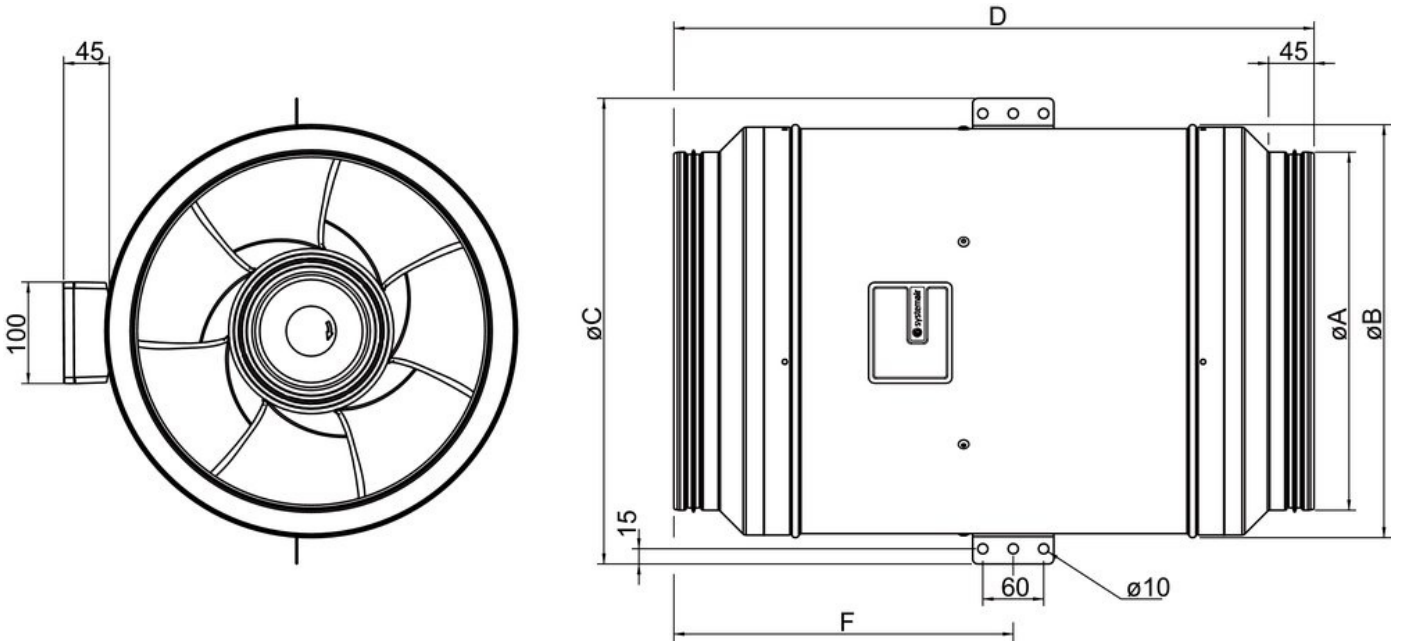
Hydraulic data

Required air flow	0.69 m³/s
Required static pressure	167 Pa
Working air flow	0.69 m³/s
Working static pressure	167 Pa
Air density	1.204 kg/m³
Power	322.3 W
Fan control - RPM	1368 rpm
Current	1.72 A
SFP	0.468 kW/m³/s
Control voltage	230.0 V
Supply voltage	230 V

Sound power level		63	125	250	500	1k	2k	4k	8k	Total
Inlet	dB(A)	55	74	73	72	70	66	58	48	79
Outlet	dB(A)	54	70	74	71	70	64	57	46	78
Surrounding	dB(A)	21	55	60	62	56	50	46	27	66
Sound pressure level at 3m (20m² Sabine)	dB(A)	-	-	-	-	-	-	-	-	59
Sound pressure level at 3m free field	dB(A)	-	-	-	-	-	-	-	-	45

Dimension

	øA	øB	øC	D	F
prio 315 AC	313	407	459	676	357
prio 355 AC/EC	353	407	459	632	335



Wiring

YE Yellow

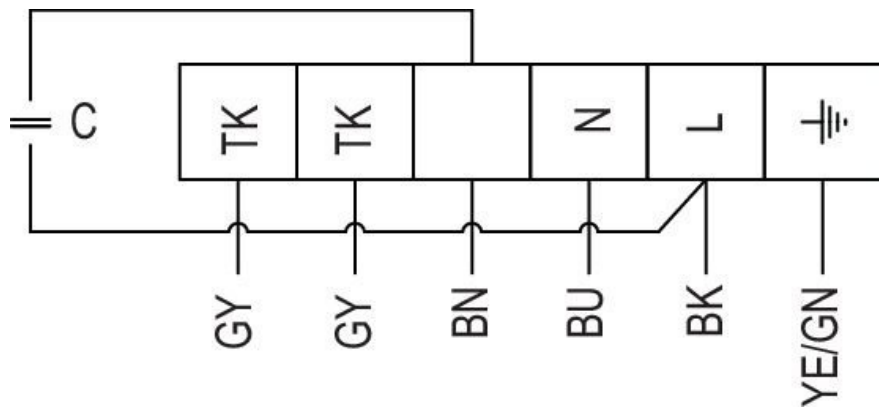
BU Blue

GN Green

BN Brown

BK Black

GY Grey



Ecodesign

Product	
Trade name	Systemair
Product name	prio 315
Ecodesign	
ErP compliance	2018
Unit category	NRVU
Drive	External MSD or VSD
Unit type	UVU
Heat recovery type	None
Temperature ratio (UVU)	Not applicable
qv nom	0.712 m ³ /s
P nom	0.324 kW
Ps nom	163 Pa
Fan efficiency	35.8 %
External Leakage	0 %
Sound power level LWA	56 dB(A)