

K 150 M Sileo

Article Number: 25362

Variant : 230V 1~ 50Hz



Description

- Speed-controllable
- Quiet-running
- Increased efficiency
- Integral thermal contacts
- Can be installed in any position
- Can be installed outdoors
- Maintenance-free and reliable

The K Sileo series is designed for installation in ducts. All K-fans have a minimum 25 mm long spigot connections.

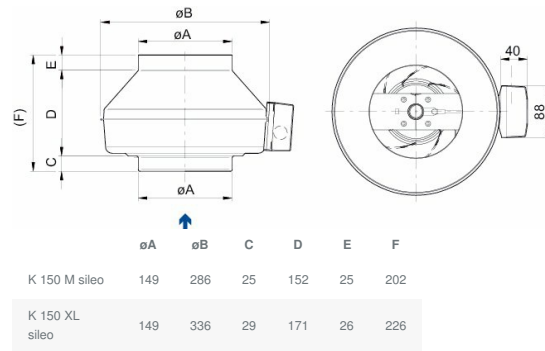
The fans have backward-curved blades and external rotor motors. To simplify the installation the K Sileo fan has a fixing bracket together with screws for mounting the bracket included as standard. The FK mounting clamp facilitates easy installation and removal, and prevents the transfer of vibration to the duct. The fans can be speed-controlled...

[Find more details in our online catalogue](#)

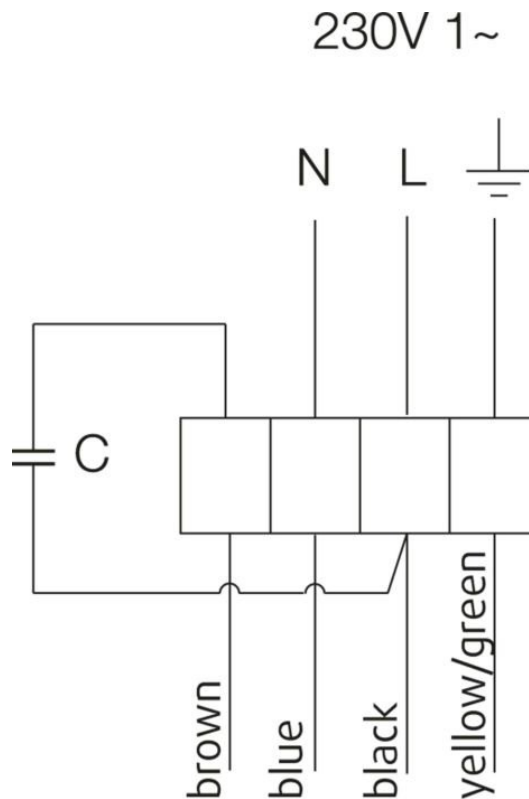
Technical parameters

Normal data	
Voltage (Nominal)	230 V
Frequency	50 Hz
Phase(s)	1~
Input power	53 W
Input current	0.232 A
Impeller speed	2.379 r.p.m.
Air flow	max 0.129 m³/s
Capacitance of capacitor	1.5 µF
Temperature of transported air	max 70 °C
Max temperature of transported air, when speed controlled	70 °C
Sound data	
Sound pressure level at 3m (20m² Sabin)	40 dB(A)
Protection/Classification	
Enclosure class, motor	IP44
Insulation class	B
Data according to ErP	
Energy class, Basic unit	E
Energy class, Local demand	B
ErP ready	ErP 2016; ErP 2018
Dimensions and weights	
Duct dimension; Circular, inlet	150 mm
Duct dimension; Circular, outlet	150 mm
Weight	3.3 kg
Others	
Duct connection type	Circular
Motor type	AC

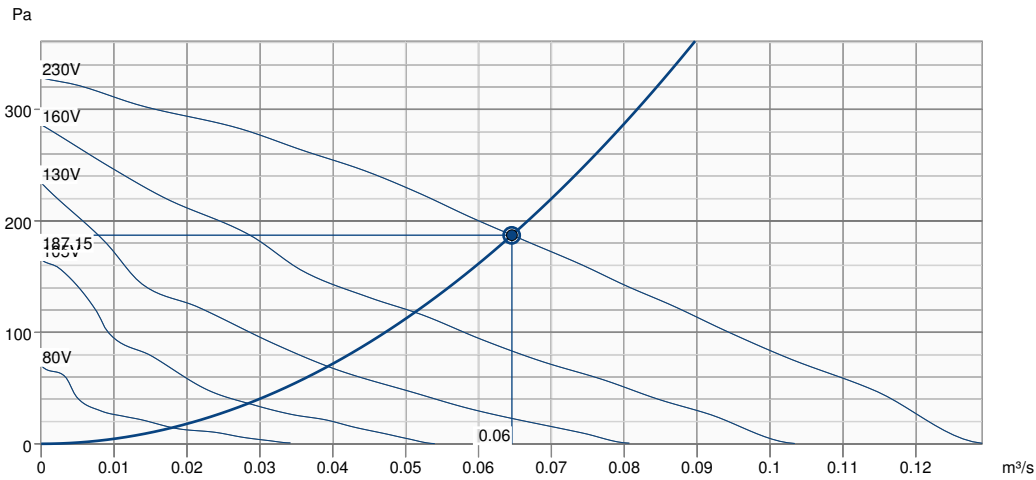
Dimension



Wiring



Performance curve



Hydraulic data

Required air flow	0.06 m³/s
Required static pressure	187 Pa
Working air flow	0.06 m³/s
Working static pressure	187 Pa
Air density	1.204 kg/m³
Power	52.2 W
Fan control - RPM	2397 rpm
Current	0.23 A
SFP	0.808 kW/m³/s
Control voltage	230.0 V
Supply voltage	230 V

Sound power level		63	125	250	500	1k	2k	4k	8k	Total
Inlet	dB(A)	46	55	56	58	58	58	56	42	65
Outlet	dB(A)	39	53	49	56	57	56	53	40	62
Surrounding	dB(A)	20	12	27	39	38	38	38	27	44
Sound pressure level at 3m (20m² Sabine)	dB(A)	-	-	-	-	-	-	-	-	37
Sound pressure level at 3m free field	dB(A)	-	-	-	-	-	-	-	-	23

Accessories

IGK-160 Wall Grid (1632)	RE 1.5 Speed control (5000)
REE 1 Speed control (5314)	REPT 6 Digital regulator (5698)
RETP 6 Temp/Pressure regulator (32293)	REU 1.5 Speed control (5004)
REV-3POL/03 ON/OFF (33978)	SG 150 Protection guard (5555)
CO2RT-R-D Transmitter (6993)	DTV500A (96807)
Presence detector/IR24-P (6995)	RT 0-30 Room Thermostat (5151)
CB 150-1,2 230V/1 Duct heater (5378)	CB 150-2,1 230V/1 Duct heater (5379)
CB 150-2,7 230V/1 Duct heater (5380)	CB 150-5,0 400V/2 Duct heater (5381)
CBM 150-2,1 230V/1 Duct heater (5481)	FFR 150 Filter cassette (1769)
FGR 150 Filter cassette (1807)	FK 150 Fast clamp (1609)
LDC 150-300 Silencer (53723)	LDC 150-600 Silencer (5199)
RSK-150 Back draft damper (5599)	THB 160 Hood w. cover pl. Red (2034)
THB 160 Hood w.cover pl. black (1764)	THS 160 Hood w. cover pl. Red (2044)
THS 160 Hood w.cover pl. black (1839)	STL 1.5 Speed controller (84251)

Documents

Fans_Operating and Maintenance_instr_202341_CE_multilingual.pdf
 K fan mounting.wmv