

K 100 XL sileo

Centrifugal circular duct fan, <125W

Item Number: 25360

Variant: 230V 1~ 50Hz



- Speed-controllable
- Quiet-running
- Increased efficiency
- Integral thermal contacts
- Can be installed in any position
- Can be installed outdoors
- Maintenance-free and reliable

The K Sileo series is designed for installation in ducts. All K-fans have a minimum 25 mm long spigot connections.

The fans have backward-curved blades and external rotor motors. To simplify the installation the K Sileo fan has a fixing bracket together with screws for mounting the bracket included as standard. The FK mounting clamp facilitates easy installation and removal, and prevents the transfer of vibration to the duct. The fans can be speed-controlled via a stepless thyristor or a 5-step transformer.

To protect the motor from overheating the fan has integral thermal contacts with manual reset.

The casing is manufactured from galvanised sheet steel and folded which gives the fan a close to air tight casing. Duct connected outdoor and wet room applications of the fan are possible due to the air tight casing



Technical parameters

Nominal data		
Voltage (nominal)	230	V
Frequency	50	Hz
Phase(s)	1~	
Input power	52	W
Input current	0.227	A
Impeller speed	2,418	r.p.m.
Air flow	max 0.0791	m³/s
Capacitance of capacitor	1.5	µF
Temperature of transported air	max 70	°C
Max temperature of transported air, when speed controlled	70	°C
Sound data		
Sound pressure level at 3m (20m² Sabin)	45	dB(A)

Protection/Classification

Enclosure class, motor	IP44
Insulation class	B

Data according to ErP

Energy class, Basic unit	E
Energy class, Local demand	C
ErP ready	ErP 2016; ErP 2018

Dimensions and weights

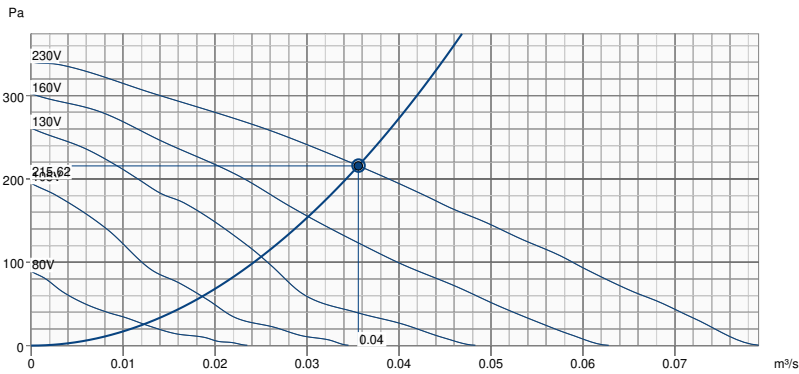
Duct dimension; Circular, inlet	100	mm
Duct dimension; Circular, outlet	100	mm
Weight	3	kg

Others

Duct connection type	Circular
Motor type	AC

Performance

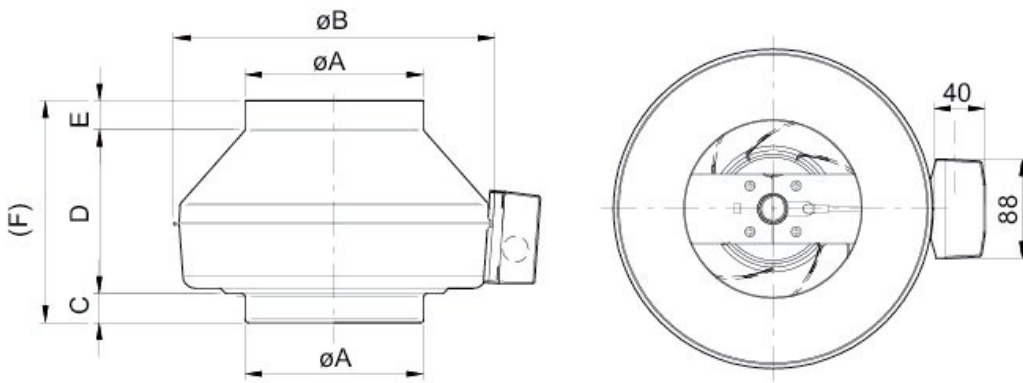
Performance curve



Hydraulic data	
Required air flow	0.04 m³/s
Required static pressure	216 Pa
Working air flow	0.04 m³/s
Working static pressure	216 Pa
Air density	1.204 kg/m³
Power	46.9 W
Fan control - RPM	2550 rpm
Current	0.21 A
SFP	1.320 kW/m³/s
Control voltage	230.0 V
Supply voltage	230 V

Sound power level		63	125	250	500	1k	2k	4k	8k	Total
Inlet	dB(A)	54	65	62	65	64	60	52	40	71
Outlet	dB(A)	55	64	58	62	62	58	50	37	68
Surrounding	dB(A)	29	17	29	49	47	45	39	27	52
Sound pressure level at 3m (20m² Sabine)	dB(A)	-	-	-	-	-	-	-	-	45
Sound pressure level at 3m free field	dB(A)	-	-	-	-	-	-	-	-	31

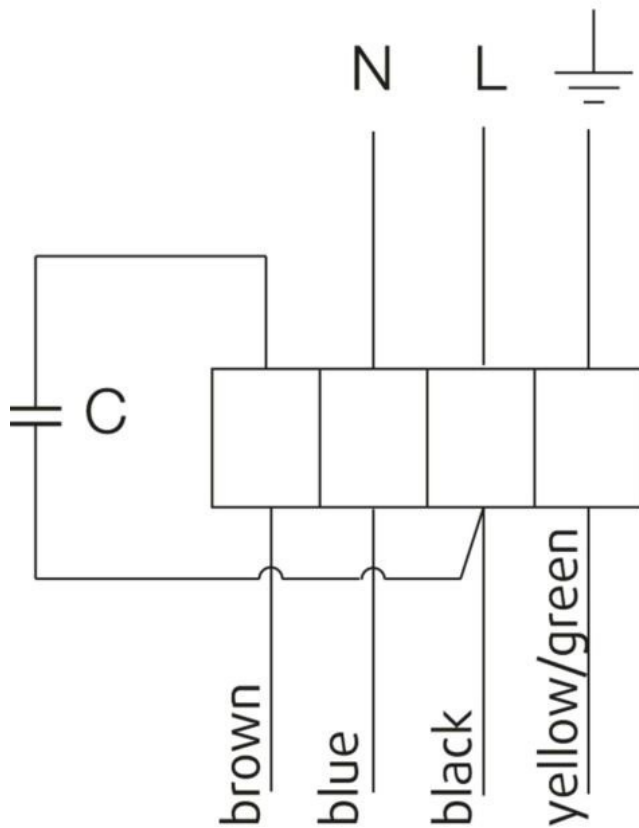
Dimension



$\varnothing A$	$\varnothing B$	C	D	E	F
99	246	26	161	26	213

Wiring

230V 1~



U1 = blue = blau

U2 = black = schwarz

Z = brown = braun

PE = yellow/green = grün-gelb

Ecodesign

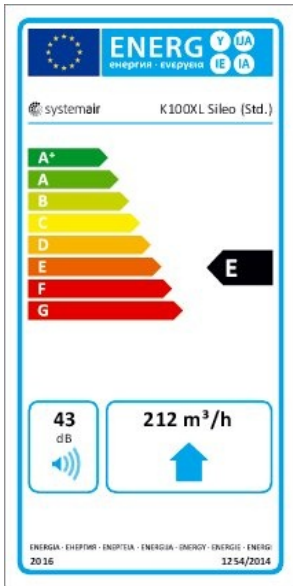
Product		
Trade name	Systemair	
Product name	K 100 XL Sileo	
Basic unit		
ErP compliance	2016	
SEC Average	-11.4	kWh/(m ² .a)
SEC Cold	-27.8	kWh/(m ² .a)
SEC Warm	-2	kWh/(m ² .a)
SEC Class	E	
Unit category	RVU	
Unit type	UVU	
Drive	External MSD or VSD	
Heat recovery type	None	
Temperature ratio (UVU)	Not applicable	
qv max	212	m ³ /h
P max	51	W
Sound power level LWA	43	dB(A)
qv ref	0.041	m ³ /s
Ps ref	50	Pa
SPI	0.184	W/(m ³ /h)
CTRL	1	
MISC	1.1	
x-value	2	
External Leakage	0	%
AEC average	230.1	kWh
AHS Cold	230.1	kWh
AEC warm	230.1	kWh
AHS Average	1,715.2	kWh/a
AHS Cold	3,355.3	kWh/a
AHS Warm	775.6	kWh/a

Units with local demand control

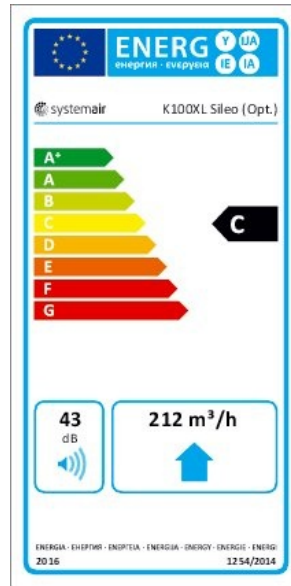
ErP compliance	2018
SEC Average	-25.9 kWh/(m ² .a)
SEC Cold	-52.9 kWh/(m ² .a)
SEC Warm	-10.4 kWh/(m ² .a)
SEC Class	C
Unit category	RVU
Unit type	UVU
Drive	External MSD or VSD
Heat recovery type	None
Temperature ratio (UVU)	Not applicable
qv max	212 m ³ /h
P max	51 W
Sound power level LWA	43 dB(A)
qv ref	0.0412 m ³ /s
Ps ref	50 Pa
SPI	0.184 W/(m ³ /h)
CTRL	0.65
MISC	1.1
x-value	2
External Leakage	0 %
AEC average	97.2 kWh
AEC cold	97.2 kWh
AEC warm	97.2 kWh
AHS Average	2,830 kWh/a
AHS Cold	5,536.2 kWh/a
AHS Warm	1,279.7 kWh/a

Energy class label

Energy class, Basic unit



Energy class, Local demand



Accessories

- FRQ5S-E-6A (37421)
- REE 1 Speed control (5314)
- RETP 6 Temp/Pressure regulator (32293)
- REV-3POL/03-7,5kW R/Y (33978)
- VKK-100 Back draft damper (1623)
- DTV500A (96807)
- HR1 Room Humidistat (215150)
- Presence detector/IR24-P (6995)
- CB 100-0,4 230V/1 Duct heater (5288)
- CBM 100-0,6 230V/1 Duct heater (5479)
- CWK 100-3-2,5 Duct cooler,circ (30019)
- FGR 100 Filter cassette (1802)
- LDC 100-300 Silencer (8180)
- LDC 100-900 Silencer (5189)
- THB 160 Hood w. cover pl. Red (2034)
- THS 160 Hood w. cover pl. Red (2044)
- VBC 100-2 Water heating batt (5456)
- VBF 100 Water heating battery (1724)
- RE 1,5 Speed control (5000)
- REPT 6 Digital regulator (5698)
- REU 1.5 Speed control (5004)
- SG 100 Protection guard (5606)
- CO2RT-R-D Transmitter (6993)
- FRQS-E-6A (37419)
- IGK-100 Wall Grid (1630)
- RT 0-30 Room Thermostat (5151)
- CB 100-0,6 230V/1 Duct heater (5376)
- CBMF 100-0,6 230V/1 Duct heater (12241)
- FFR 100 Filter cassette (1766)
- FK 100 Fast clamp (1607)
- LDC 100-600 Silencer (5188)
- RSK-100 Back draft damper (5597)
- THB 160 Hood w.cover pl. black (1764)
- THS 160 Hood w.cover pl. black (1839)
- VBC 100-3 Water heating batt (9838)

Documents

- Fans_Operating and Maintenance_instr_202341_CE_multilingual.pdf
- K fan mounting.wmv

Specification

The Circular duct fan is reliable in operation and maintenance free and its box consists of electroplated steel plate. The pipe connection with a length of 25 millimetre according to EN 1506:1997 allows an easy assembling. A mounting bracket for easy installation is included. The FK mounting clamp facilitates easy installation and removal, and prevents the transfer of vibration to the duct. Furthermore the fan has a free wheeling radial impeller with backward curved impeller vane. The actuation is carried out by a maintenance free, speed controlled external rotor motor. Through dropping the tension, the fans can be speed controlled with the help of a stepless thyristor or a 5- step transformer. The K fans have integral thermal contacts with reset device according to EN 60335-2-80 for protecting the engine. For annealing the engine is designed inside the air flow. Completely with the impeller in two levels the engine is statically and dynamically weighed heavy according DIN ISO 1940. According to EN 12237:2003 the fan has a leakage performance class C. Through the airproofed box and the IP 55 classified terminal box with a IP 68 classified M20 cable connection an installation outside and in damp locations is possible.