

AW 630DV sileo Axial fan

Axial wall fan

Item number: 37415

Variant: 400V 3~ 50Hz

Speed controllable by voltage reduction, plus option of 2-step operation by D/Y switching for 400V versions.

Inlet protection guard.

Safe and maintenance free operation.

Can be installed in any mounting position.

Electric connection via terminal box mounted on the motor.

Single phase fans are supplied with capacitor.

Axial fans of the AW sileo range do have a bionic shape of the fan blade, and are driven by external rotor motors. The AW range is equipped with a square wall plate, galvanized steel and powder coated in black (RAL9005). The protection guard at the inlet side is powder coated in black. The axial impeller is manufactured from pressure die cast aluminum and also painted in black (RAL9005). The impeller is balanced dynamically in two levels in accordance with DIN ISO 1940 part 1, quality G6.3.

The motors are equipped with thermal contacts for motor protection, with leads to be connected to a motor protection unit.

The impeller is balanced dynamically in two levels in accordance with DIN ISO 1940 part 1, quality G6.3.

The motors are equipped with thermal contacts for motor protection, with leads to be connected to a motor protection unit.



Technical parameters

Nominal data	
Voltage (nominal)	400 V
Frequency	50 Hz
Phase(s)	3~
Motor circuit connection	D; Y
Input power	1,950 W
Input current	3.4 A
Impeller speed	1,350 r.p.m.
Air flow	max ; 15,926; m ³ /h
Air flow at max. efficiency	11,365 m ³ /h
Specific ratio	1,000000
Temperature of transported air	max 60 °C
Max temperature of transported air, when speed controlled	60 °C
Sound data	
Sound pressure level at 1m	78 dB(A)

Protection/Classification

Enclosure class, motor	IP54
Insulation class	F

Data according to ErP

ErP ready	ErP 2018
Measurement category	A
Efficiency grade	45.5 η_{actual}
Efficiency, static	40.7 η_{statA}
Target efficiency grade ErP2013	36 $\eta_{\text{target2013}}$
Target efficiency grade ErP2015	40 $\eta_{\text{target2015}}$

Dimensions and weights

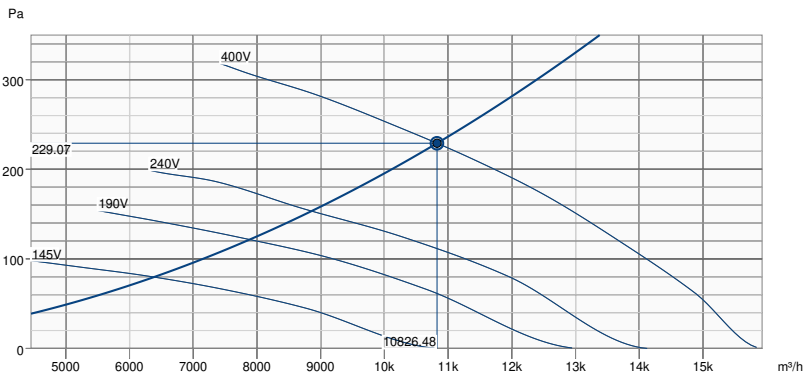
Weight	34.2 kg
--------	---------

Others

Motor type	AC
------------	----

Performance

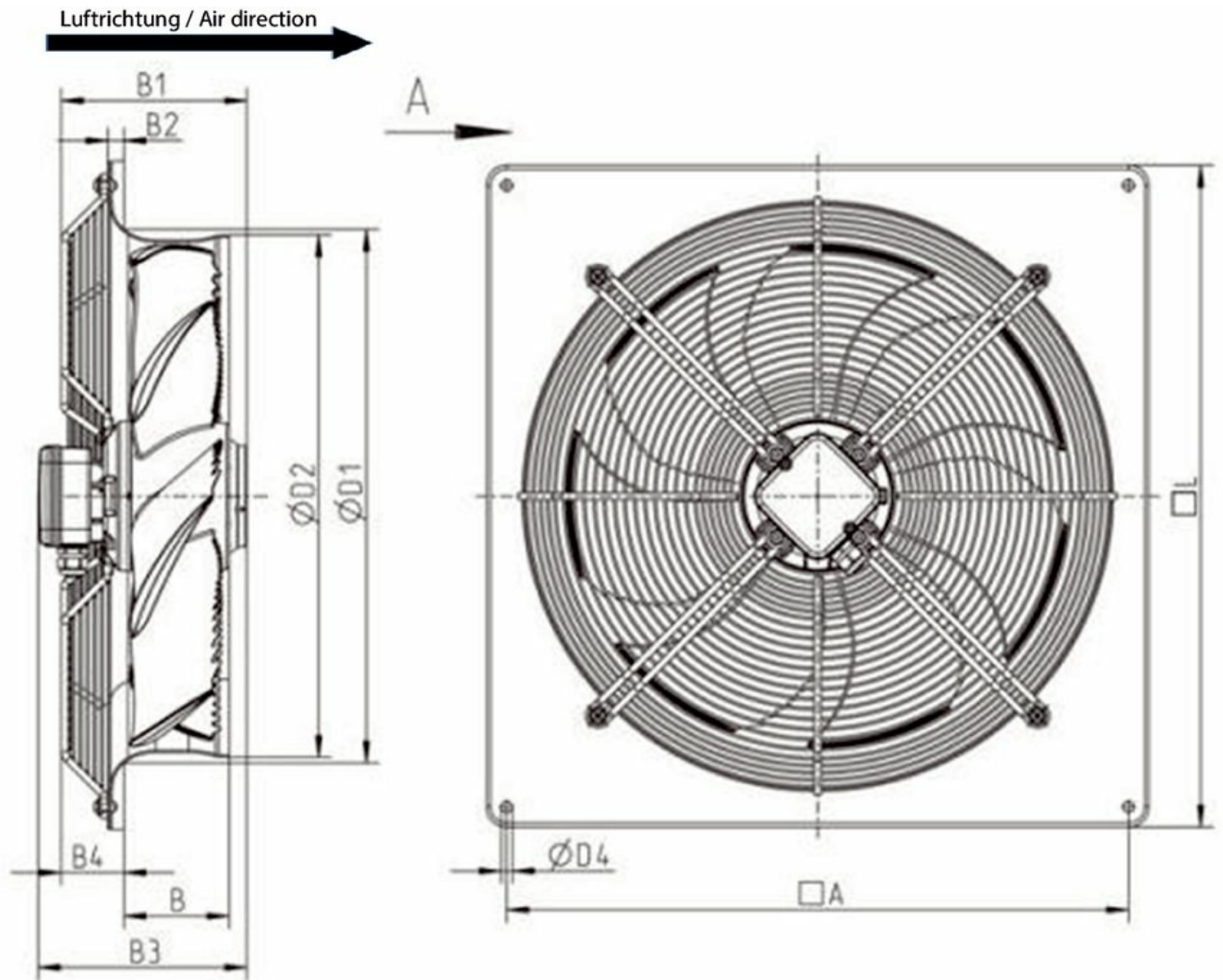
Performance curve



Hydraulic data	
Required air flow	10825 m³/h
Required static pressure	229 Pa
Working air flow	10826 m³/h
Working static pressure	229 Pa
Air density	1.204 kg/m³
Power	1722.1 W
Fan control - RPM	1373 rpm
Current	3.12 A
SFP	0.573 kW/m³/s
Control voltage	400.0 V
Supply voltage	400 V

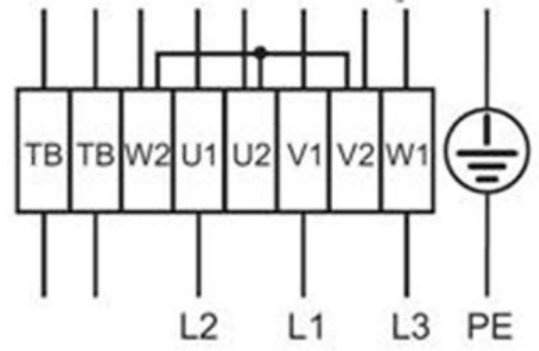
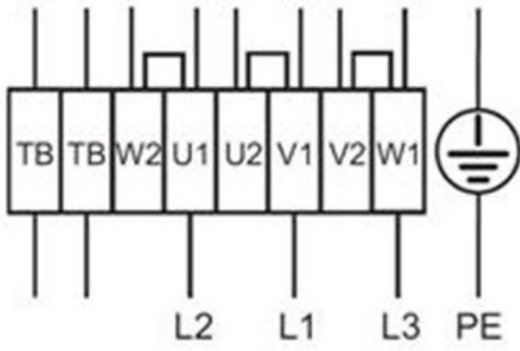
Sound power level		63	125	250	500	1k	2k	4k	8k	Total
Inlet	dB(A)	29	48	58	70	79	81	78	68	85
Outlet	dB(A)	30	49	60	70	78	80	77	68	84

Dimension



	□A	B	B1	B2	B3	B4	∅D1	∅D2	∅D4	□L
AW 630	750	130	225	20	246	50	664	643	11	805

Wiring



High speed

Low Speed

Δ-Connection

Y-Connection

Ecodesign

Ecodesign 327	
Manufacturer	Systemair GmbH, Seehöfer Str. 45, DE-97944 Boxberg, Amtsgericht (court of registration) Mannheim, HRB 560437
Type	AW 630DV
Year of manufacture	See name plate of the fan
Air flow qv	11,367 m ³ /h
Efficiency category	static
Efficiency grade N	45.5
Efficiency grade target N	40
Speed (rpm) n	1,377 r.p.m.
Pressure increase total psf	212 Pa
Power consumption Ped	1,770 W
Overall efficiency	40.7 %
Variable speed drive	No
Additional components	Components used to calculate the energy efficiency that are not apparent from the measurement category are detailed in the CE declaration.
Maintenance	Information on installation, operation and maintenance is provided in the operating instructions.
Recycling / disposal	Information on recycling and disposal is provided in the operating instructions.

Accessories

- RTRD 4 Speed contr. Systemair (5942)
- S-DT 16 Motor Protection (161206)
- S-DT2SKT Two speed switch Y/D (2697)
- VK-63 Louvre shutter (87704)
- RTRDU 4 Speed contr. Systemair (5946)
- S-DT 16E Motor Protection (161207)
- SG AW-D BGr 065, RAL 9005 (30605)

Documents

- L-BAL-001-SYSTEMAIR.PDF
- EU-Declaration_of_conformity_en_005